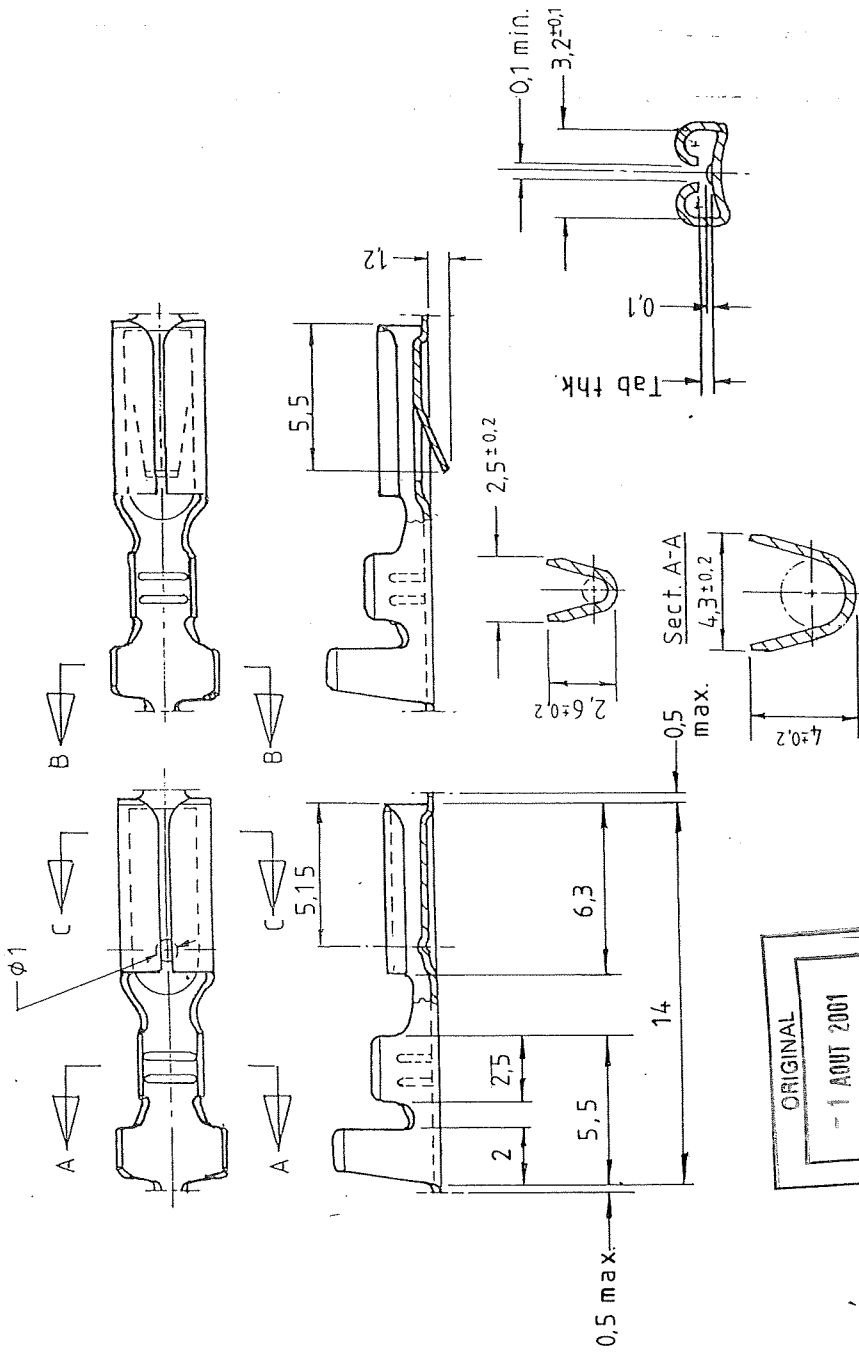


Type 1

Type 2



ORIGINAL
- 1 AOUT 2001
BUREAU D'ÉTUDES

Sect. C-C

Sect. B-B

Break	Met. Size	Material	Quantity	Notes
Apex	Pitch = 12			
0.1 x 0.45				
Mark				
Temp	Temp	Qty	Qty	Qty
1	1	0.1 ± 0.05	0.1 ± 0.05	0.1 ± 0.05
2	2	0.1 ± 0.1	0.1 ± 0.1	0.1 ± 0.1
3	3	0.1 ± 0.15	0.1 ± 0.15	0.1 ± 0.15
4	4	0.1 ± 0.2	0.1 ± 0.2	0.1 ± 0.2
5	5			
6	6			
7	7			
8	8			
9	9			
10	10			
11	11			
12	12			
13	13			
14	14			
15	15			
16	16			
17	17			
18	18			
19	19			
20	20			
21	21			
22	22			
23	23			
24	24			
25	25			
26	26			
27	27			
28	28			
29	29			
30	30			
31	31			
32	32			
33	33			
34	34			
35	35			
36	36			
37	37			
38	38			
39	39			
40	40			
41	41			
42	42			
43	43			
44	44			
45	45			
46	46			
47	47			
48	48			
49	49			
50	50			
51	51			
52	52			
53	53			
54	54			
55	55			
56	56			
57	57			
58	58			
59	59			
60	60			
61	61			
62	62			
63	63			
64	64			
65	65			
66	66			
67	67			
68	68			
69	69			
70	70			
71	71			
72	72			
73	73			
74	74			
75	75			
76	76			
77	77			
78	78			
79	79			
80	80			
81	81			
82	82			
83	83			
84	84			
85	85			
86	86			
87	87			
88	88			
89	89			
90	90			
91	91			
92	92			
93	93			
94	94			
95	95			
96	96			
97	97			
98	98			
99	99			
100	100			

22030	2	0.5	
22031	2	0.8	
22038	1	0.4	
22033	1	0.5	
22034	1	0.8	
Part no.	Type	Tab thk	

K 20370

2,8 Snap-on terminal
For wire size 0,5-1 mm²

Pre-tinned
GROTE & HARTMANN
CONNECTOR TECHNOLOGY