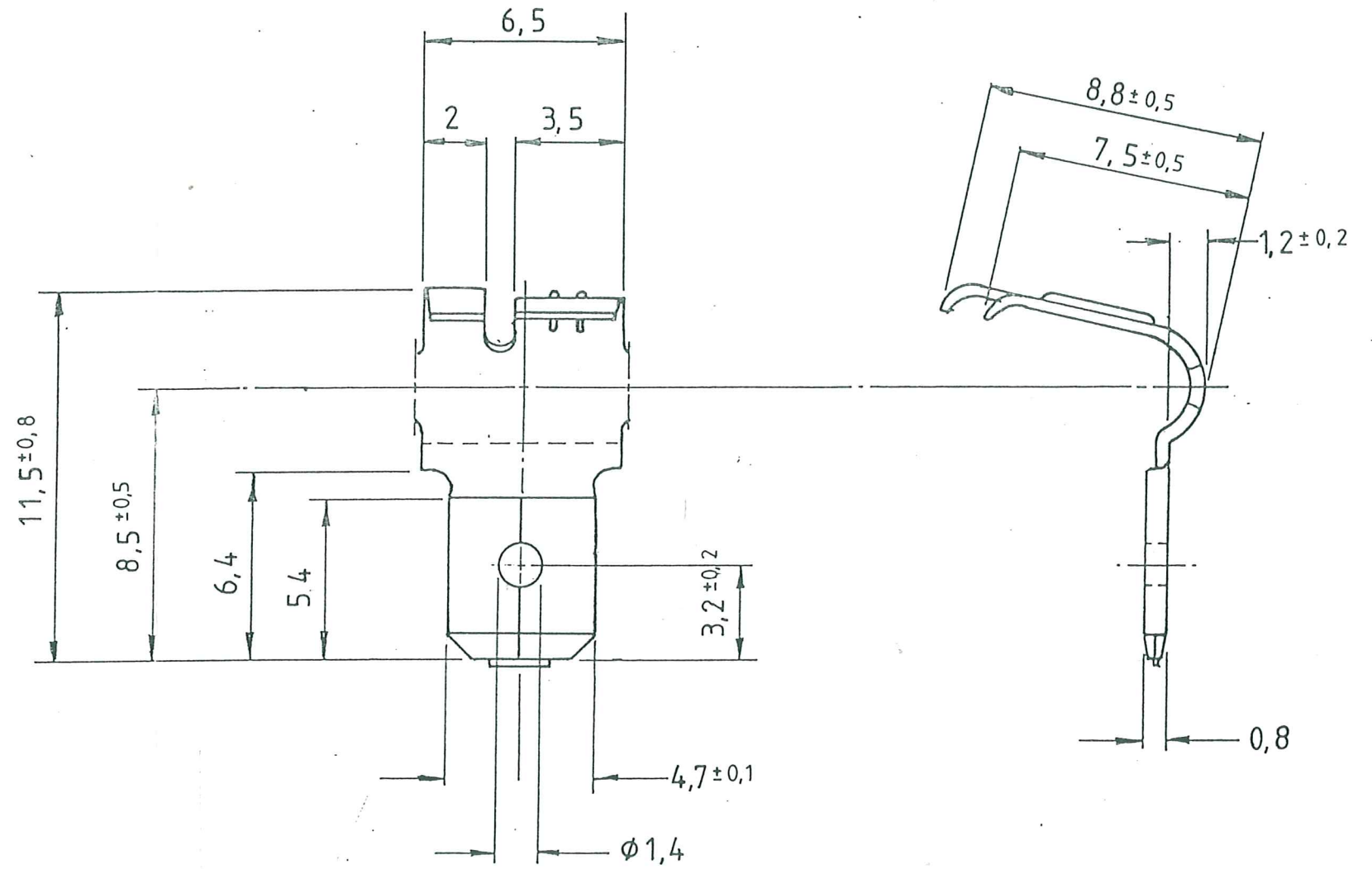


ORIGINAL  
 - 1 AOUT 2001  
 BUREAU D'ÉTUDES



				Matt. Size		Break edges 0.5 x 45°			
				Note:		Harden			
				Loose Strip		Temper			
				Form		Packing		Qty.	
				General tolerance		0-1 ± 0.05		Scale:	
				±		> 1-3 ± 0.1		5:1	
				± ±		> 3-6 ± 0.15		Date	
				± ±		> 6 ± 0.2		Name	
				Description		4,8 Series tab		K 22008	
				For wire size:		0,5 - 1,5 mm <sup>2</sup>		Date	
								Name	
								Iss.	
								E.C.N.	
								Date	
								Name	
								Chk.	
								App.	
								Date	
								Name	
								Chk.	
								App.	