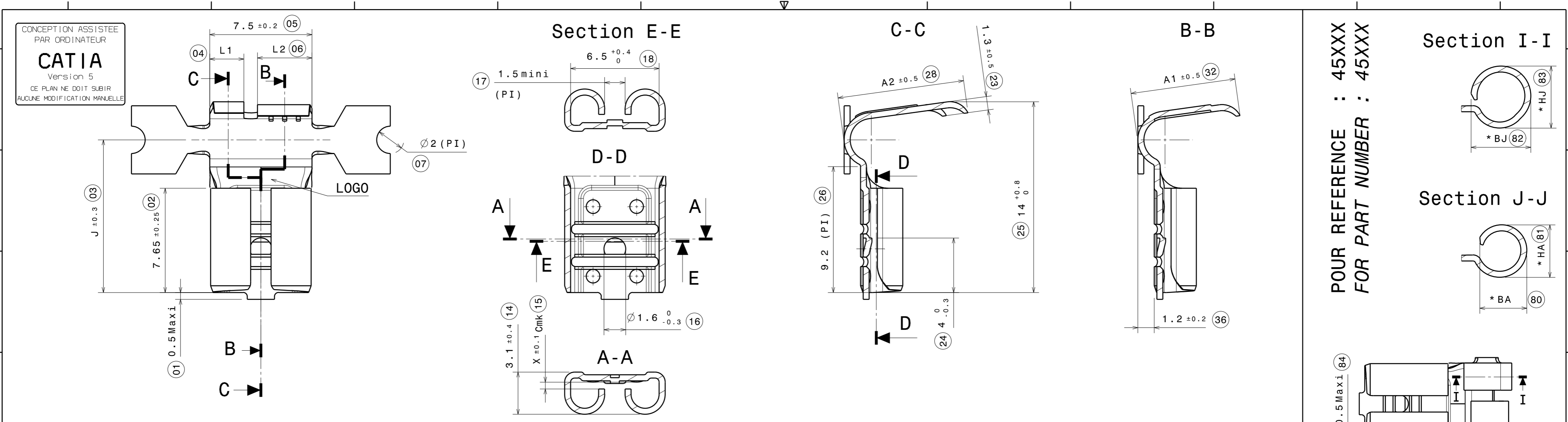
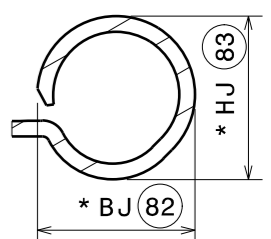


CONCEPTION ASSISTEE  
PAR ORDINATEUR  
**CATIA**  
Version 5  
CE PLAN NE DOIT SUBIR  
AUCUNE MODIFICATION MANUELLE

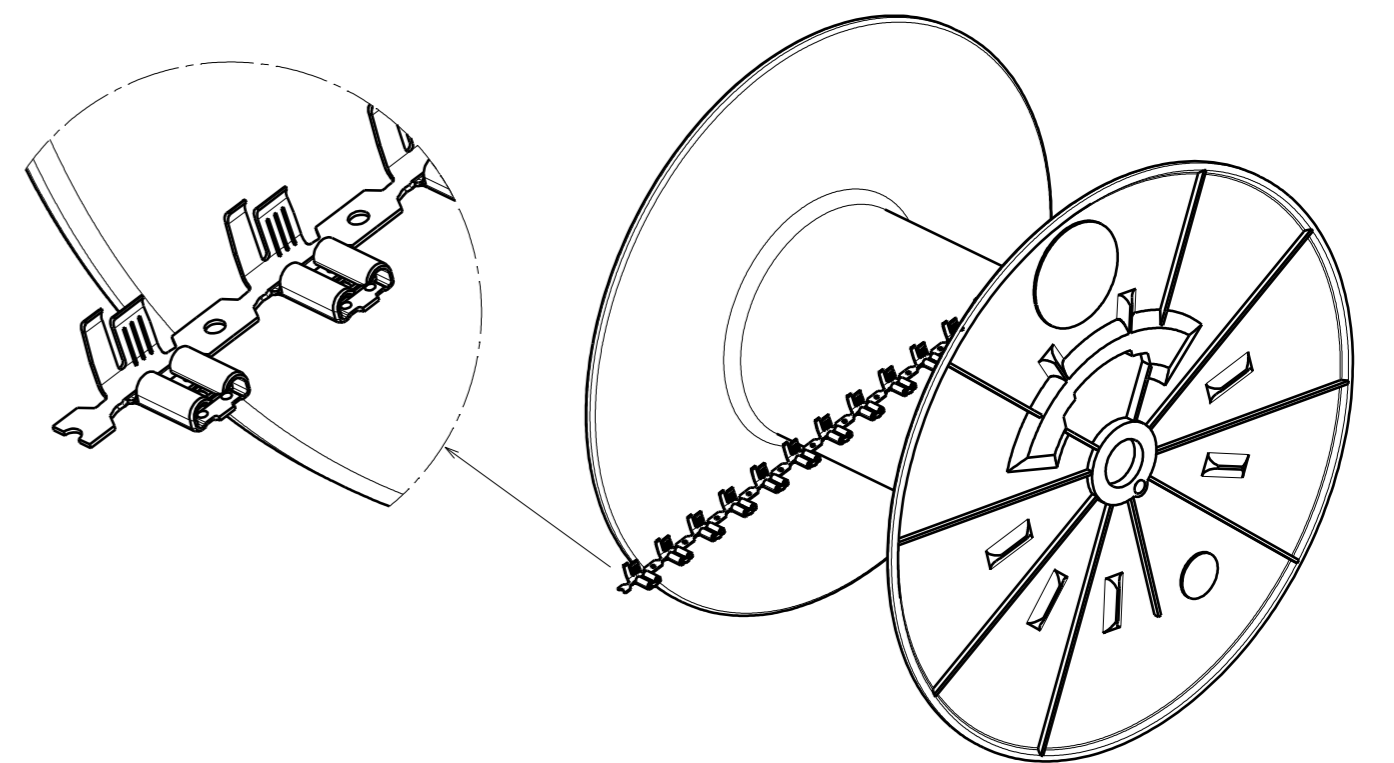
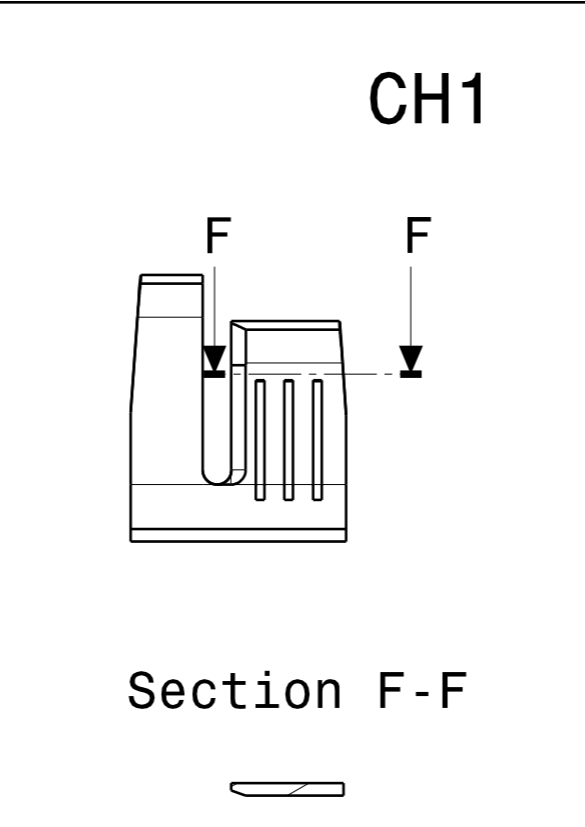
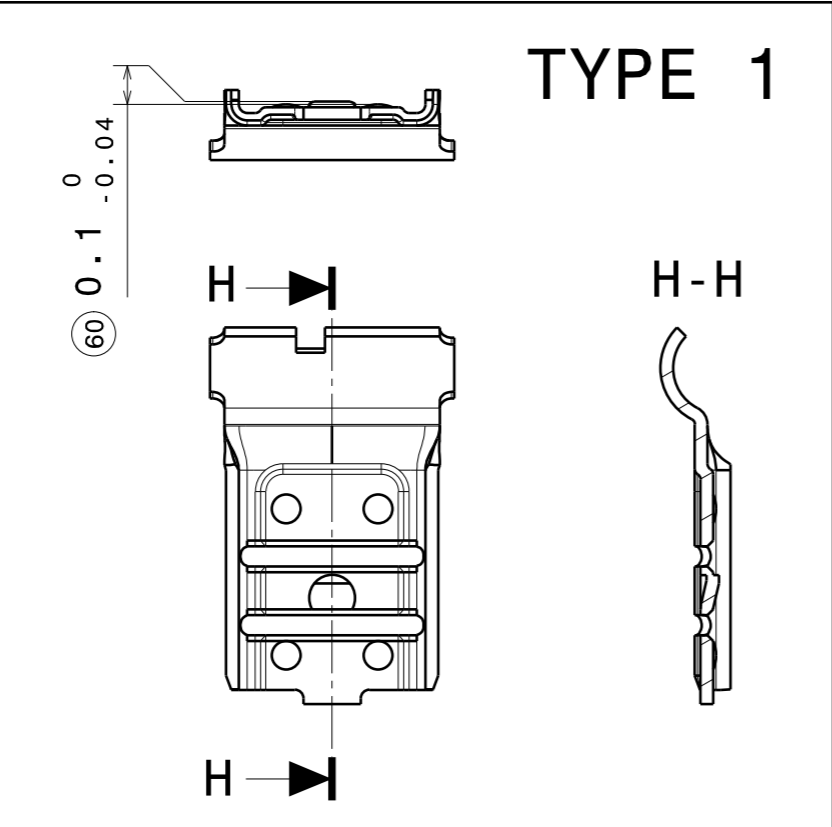
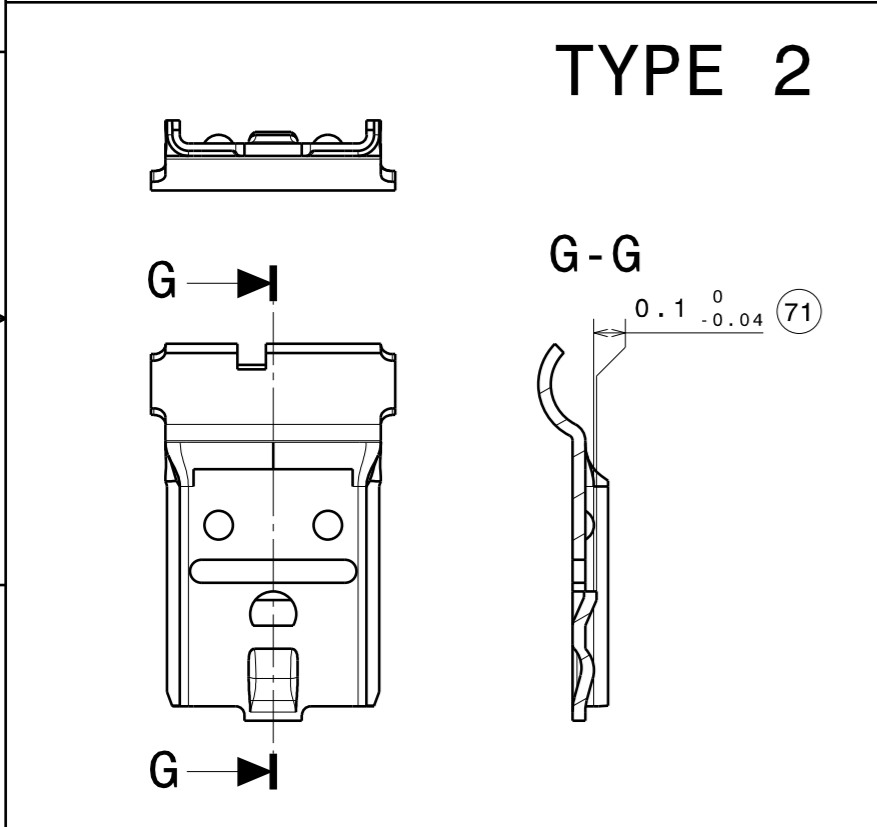
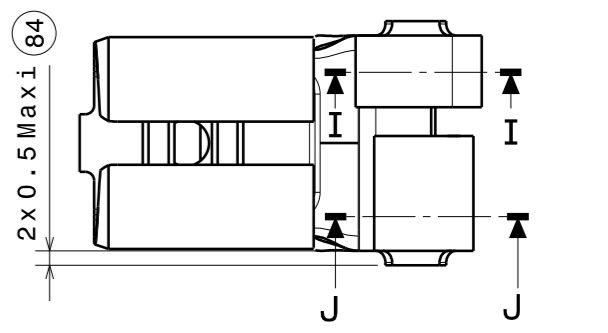
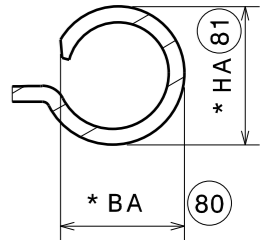


POUR REFERENCE : 45XXX  
FOR PART NUMBER : 45XXX

Section I-I



Section J-J



DEROULEMENT SE05  
UNWIDING SE05

25785	05785	45785	1/2.5mm2	4	2.5	11.2	9	10.8	3.45	3.85	4.55	4.40	0.55	4	1	YES	20
22072			1/2.5mm2	4	2.5	11.2	9	10.8					0.55	4	1	NO	19
25319	05319		0.5/1.5mm2	4	2.5	11	7.5	8.8					0.55	3	1	NO	19
25049			0.5/1.5mm2	4	2.5	11	7.5	8.8					0.55	3	2	NO	19
25048			0.5/1.5mm2	3.6	2	11	7.5	8.8					0.55	3	1	YES	19
25039	45039		0.5/1.5mm2	4	2.5	11	7.5	8.8	3.70	3.40	4.35	3.90	0.55	3	2	NO	19
22230			0.5/1.5mm2	3.6	2	11.2	7.5	10.7					0.65	3	1	YES	19
22076			0.5/1.5mm2	4	2.5	11	7.5	8.8					0.65	3	1	NO	19
22042			0.5/1.5mm2	3.6	2	11.2	7.5	10.7					0.55	3	1	YES	19
BANDE/BAND		VRAC/BULK	SECTION	L2±0.2	L1±0.2	J	A1	A2	HA	BA	HJ	BJ	X	NOMBRE DE STRIES	TYPE	CH1	PAS/STEP
PART NUMBER														NUMBER OF GROOVES			

417	031	DC04	Post Ni3
213	042	CuSn6	Post Ag3
213	011	CuSn6	Post Sn3
213	004	CuSn6	Brut/raw
213	009	CuSn6	Brut/raw
123	211	CuZn30	Post Sn3 recuit/annealed
123	241	CuZn30	Post Ag1 recuit/annealed
123	204	CuZn30	Brut recuit/annealed
123	178	CuZn30	Sn2
123	009	CuZn30	Brut/raw
Material Code	Treatment	Material	Treatment Designation

SERRATION ACCORDING TO :	26000 I7	1-2 and 3
CONDUCTOR CLAW CHAMFER ACCORDING TO :	26000 I7	4
INSULATOR CLAW CHAMFER ACCORDING TO :	26000 I7	5
LOGO :	25000 Folio 3	Size 1
SMUDGES ACCORDING TO :	NF E81-010 class B	
NOT DIMENSIONED RADIUS :	R0.3 0/-0.3	
THICKNESS :	0.44	
DRAWING	CHART	

- (M) : COTE POUVANT ETRE MODIFIEE - DIMENSION COULD BE MODIFIED
- (Δ) : CARACTERISTIQUES FONCTIONNELLES - FUNCTIONAL CHARACTERISTIC
- (Ind) : INDICE DE MODIFICATION - MODIFIED ITEM
- < > : NON CONFORMITE ACCEPTABLE. LA COTE D'ORIGINE EST SEULE VALABLE EN CAS DE RECLAMATION, DE REPARATION OU DE CONSTRUCTION D'OUTILLAGE. ACCEPTABLE NONCONFORMITY. ONLY THE ORIGINAL DIMENSION IS VALID IN CASE OF TOOL CONSTRUCTION, REPAIRING OR QUALITY COMPLAINT.
- Cm Cmk : COTES SOUMISES A CAPABILITE INITIALE - INITIAL CAPABILITY
- Cp Cpk : COTES SOUMISES A CAPABILITE EN PRODUCTION - PRODUCT CAPABILITY
- SPC : COTES SOUMISES A UN SUIVI SPC - SPC CONTROL
- (PI) : POUR INFORMATION - FOR INFORMATION

LA COTATION EST EFFECTUEE SUIVANT L'EXIGENCE D'ENVELOPPE DIMENSIONING IS PERFORMED ACCORDING TO SURROUNDING REQUIREMENT ISO 8015:1985 (NF E 04-561 OCT.1991)

ISO 1101 (NF E 04-552)  
ISO 2692:1988 (NF E 04-555 FEV.1992)  
ISO 5459 (NF E 04-554 DEC.1988)  
ISO 5458:1987 (NF E 04-559 FEV.1991)  
ISO 10578 (NF E 04-558 AOUT 1983)  
ISO 10579 (NF E 04-565 OCT.1986)  
ISO 3040:1990 PARTIELLE (NF E 04-557 DEC.1991)

**ATTENTION : LES COPIES NE SONT PAS GERES, SEUL LE FICHER INFORMATIQUE FAIT FOI**  
**CAUTION : THE COPIES ARE NOT MANAGED, ONLY THE COMPUTER FILE IS VALID**

ALL FEATURES NOT DEFINED ON DRAWING MUST BE OBTAINED FROM MATH MODEL WITH [ ] APPLIED

General tol. NPT5800 classe normale ISO 2768-m

Wire range: see chart  
Volume: See chart  
Weight: See chart

**SAVOY TECHNOLOGY**

CLIP DRAPEAU 6.3x0.8/90  
FLAG RECEPTACLE 6.3x0.8/90

Scale: 5/1

70022 - K1 - 05

This drawing is the property of SAVOY TECHNOLOGY and cannot be duplicated without its permission

